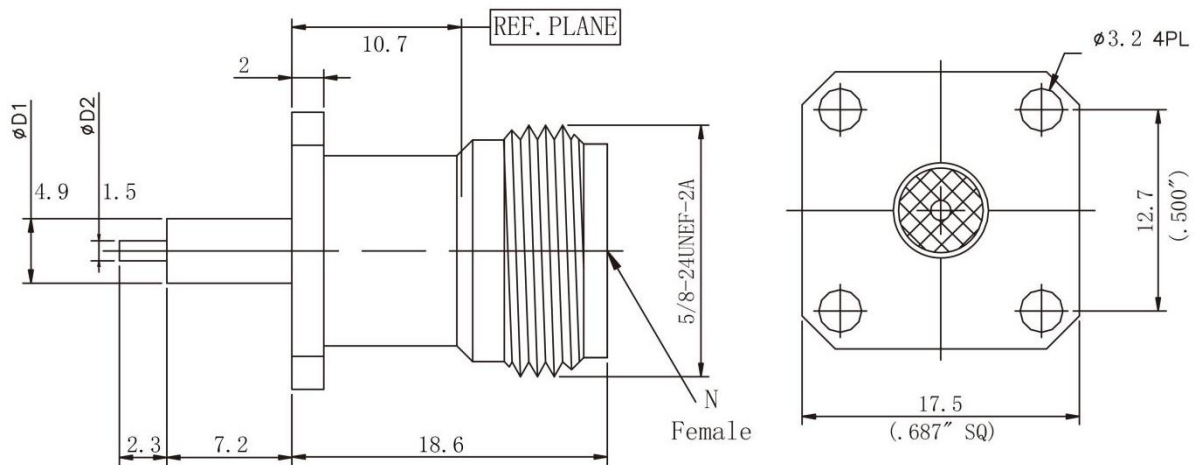


# 射频同轴连接器/ RF Coaxial Connector

## XQY-NKFD72N-D

项目 Project	指标 Indicators
产品名称 Product Name	射频同轴连接器/RF Coaxial Connector
频率范围 Frequency Range	DC-6 GHz
驻波比 VSWR	1.25:1 (max)
阻抗 Impedance	50 $\Omega$
插入损耗 Insertion Loss	0.25 dB (max)
介质耐电压 Dielectric withstand voltage	1000 V
使用寿命 Service life	$\geq 500$
绝缘电阻 Insulation Resistance	$\geq 5000M\Omega$
接头类型 connector type	N-Female
工作温度 Operation Temperature	-55°C ~ +165°C
内导体材质 Inner conductor material	铍青铜 镀金 Beryllium bronze Gold plating
外导体材质 External conductor material	黄铜 镀镍 Brass plate with nickel
绝缘体 Insulator	PTFE
连接器类型 Connector type	介质穿墙连接器 Media through wall connector



注: 尺寸(mm/[英寸]), 一般公差( $\pm 0.01$ )

Note: Dimensions (mm / [inch]), General tolerance ( $\pm 0.01$ )